



SKU # H4-G4LED

Part # 1007064

Description

H4 Hi-Lo GEN4® LED Headlight Conversion Kit with 360 clock-able base, Focus Optics, and copper stranded rope heat sinks - Patent Approved Design

Categories LED Headlight Conversions

Sub-Categories GEN4® LED Kits

UPC 817999026962

Unit of Measure Kit

Related Skus:

RSCASH4

Cross Sell Skus:

RSIKIT,RSUKIT,RSMKIT

Condition

New

Manufacturer

Race Sport Lighting

EZ Category

GEN4 LED Headlight Kit

Harmonization Code

8512.20.2080

Universal

YES

Life Expectancy

50,000 hours

SEMA Product

Headlight Conversion Kit

Part Type ID 12571

Reverse Polarity

Headlight Conversion Kit

Operating Voltage

12VDC

Current Draw

3.2A

Wattage

Chip Type

PHILLIPS

IP Rating

IP65

LUX

7,004 RAW LUX

Kelvin (ColorTemperature)

6,000K

Universal or Vehicle Specific

Universal

Made In

CN

Warranty

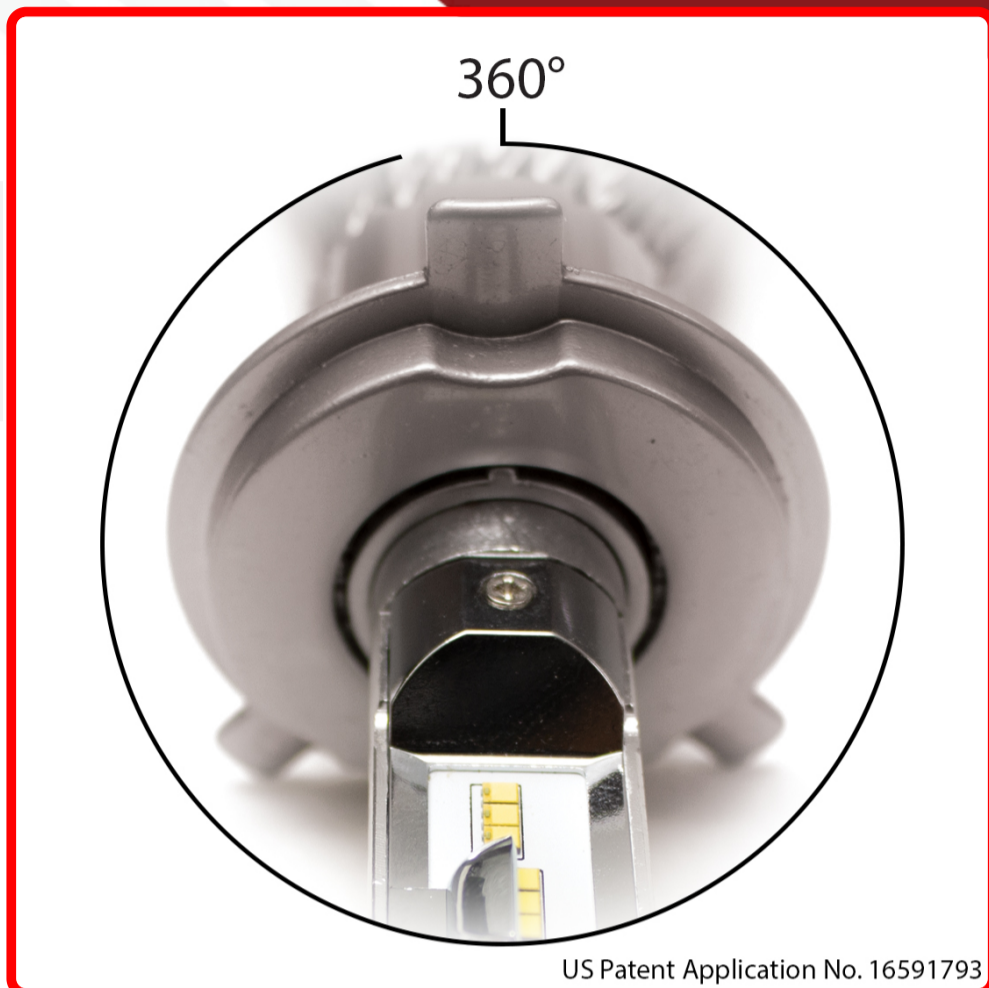
3 year

Lumens

6,330 RAW LUMEN

Beam Pattern

N/A



US Patent Application No. 16591793

Product Information

Introducing the Race Sport® Lighting GEN4® LED Headlight Kit Introducing the long-awaited Race Sport® Lighting GEN4 LED headlight kit. These kits are packed with patented features including a fan-less “rope” heat-sink design, “ratchet” style clock-able base, and the brightest output of an LED headlight kit our company has ever offered at a Rated 2,700lx/bulb or 5,400lx/kit. In Test Lab, the RAW Lux output @ 1ft is 3,502lx/bulb or 7,004lx/kit The Lumen Rating of this product is Rated 3,000lm/bulb or 6,000lm/kit. In Test Lab, the RAW Lumen brightness is 3,165lm/bulb or 6,330lm/kit Patented Fan-less “Rope” Heat-sink Design Our patented (US patent 11,054,127; 10,801,714) fan-less “rope” design allows the GEN4® LED headlight kit to be installed where space is limited, and it also keeps the high-powered diodes cool. The copper “rope” heat-sinks can be manipulated to fit in the tightest compartments yet maintaining the correct amount of heat dissipation to keep this

Est. Labor

1 Hours

Gross Weight

2.00

Width

8.25

Net Weight

2.00

Height

2.50

DIM Weight

1.11

Depth

7.50

Prop 65 WARNING: This product can expose you to chemicals, which are known to the State of California to cause cancer and birth defects or other reproductive harm. For more information go to www.P65Warnings.ca.gov