



SKU # MSUWUS30RGB

Part #1006993

Description

NEW - HydroBLAST Ultra Slim 1-POD Underwater 30-Watt LED Lighting System - Marine 316 Stainless Steel - RGB Multi-Color

Categories Marine Sport Lighting

Sub-Categories HydroBLAST Underwater LED

UPC 817999026375 Unit of Measure EA

Related Skus: MSUWBTC12V,MSUWRCC12V

Cross Sell Skus: MS-

Condition Manufacturer EZ Category  
 New Marine Sport Lighting HydroBLAST Marine LED

Harmonization Code Universal Life Expectancy  
 8512.20.2080 YES 50,000 hours

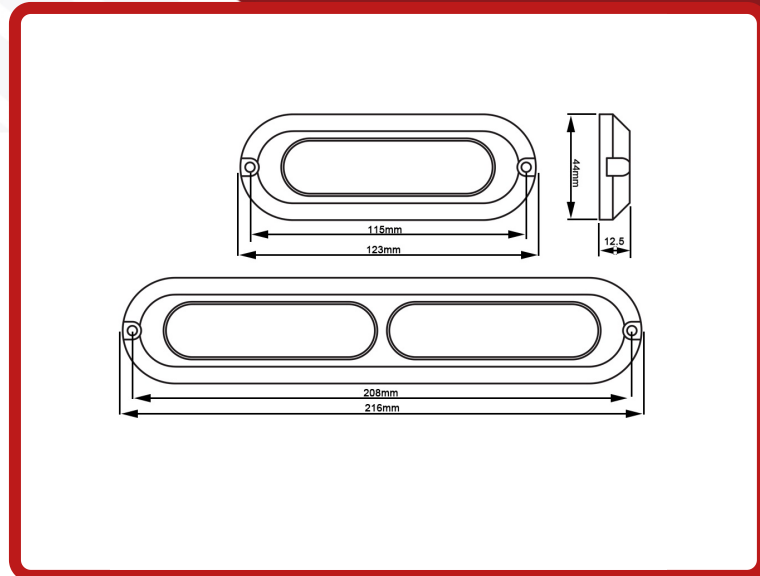
SEMA Product Marine All-Around Light

Reverse Polarity Operating Voltage Current Draw  
 No 9-15VDC 1.9A

Wattage Chip Type IP Rating LUX  
 30-Watts CREE IP68

Kelvin (Color Temperature) Universal or Vehicle Specific  
 RGB Universal

Made In Warranty Lumens Beam Pattern  
 China 1 year 278-1,410 Flood



Product Information

- Marine 316 Stainless Steel - RGB Multi-Color
- input voltage 9-15VDC
- current draw 1.65A@13.5VDC
- total power consumption 22.5W@13.5VDC
- 316L Marine Grade Stainless Steel
- Poly-carbonate Lens
- waterproof IP68
- comes with 5FT wire (18AWG)

```
<iframe width="560" height="315"
src="https://www.youtube-nocookie.com/embed/GHx-
oAYv5Lc" frameborder="0" allow="accelerometer; autoplay;
encrypted-media; gyroscope; picture-in-picture"
allowfullscreen></iframe>
```

<u>Part Type ID</u>	57170	<u>Est. Labor</u>	1.00
<u>Gross Weight</u>	1.000	<u>Width</u>	7.500
<u>Net Weight</u>	1.000	<u>Height</u>	2.500
<u>DIM Weight</u>	0.472	<u>Depth</u>	3.500

Prop 65 WARNING: This product can expose you to chemicals, which are known to the State of California to cause cancer and birth defects or other reproductive harm. For more information go to [www.P65Warnings.ca.gov](http://www.P65Warnings.ca.gov).