



SKU # MSUWL120W

Part #1003277

Description

HydroBLAST 2-POD Underwater 120W LED Lighting System - Marine
316 Stainless Steel (White)

Categories Marine Sport Lighting

Sub-Categories HydroBLAST Underwater LED

UPC 814843028219 Unit of Measure EA

Related Skus:

Cross Sell Skus: MSUWL60W,MS-27W,MSUWL120W

Condition Manufacturer EZ Category
New Marine Sport Lighting HydroBLAST Marine LED

Harmonization Code Universal Life Expectancy
8512.20.2080 YES 50,000 hours

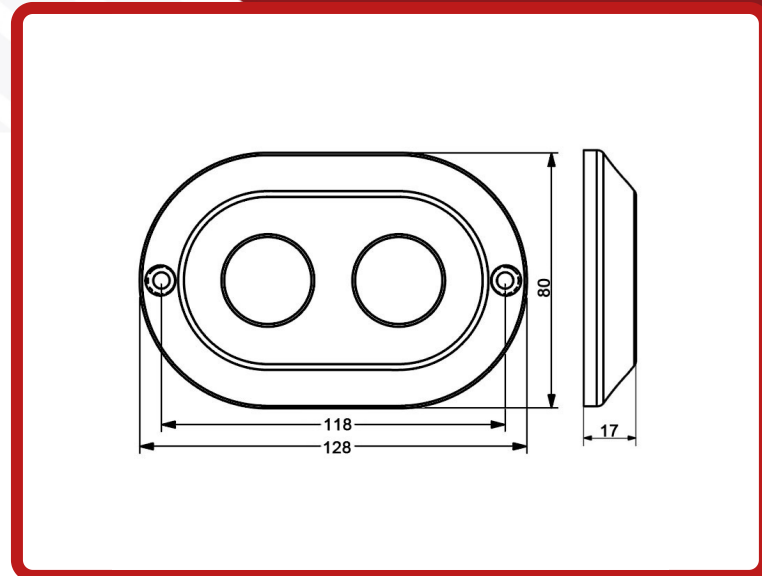
SEMA Product Marine All-Around Light

Reverse Polarity Operating Voltage Current Draw
No 9-32VDC 9.7A

Wattage Chip Type IP Rating LUX
120-Watts CREE IP68

Kelvin (Color Temperature) Universal or Vehicle Specific
White Universal

Made In Warranty Lumens Beam Pattern
China 1 year 5,902lm Flood



Product Information

Stainless Steel Dual Pod 120W LED Underwater Light (White/Blue)

Marine Sport Lighting Stainless Steel LED Underwater boat lights function as transom lights and are also great for dock lighting. Use this durable LED boat light to add color to your wake, attract fish, or for nighttime swimming and diving. The LED housing is vibration and shock-resistant and is made from a solid piece of 316 marine-grade stainless steel with a shatterproof polycarbonate lens. These IP68-rated LED lights are completely waterproof, and intended exclusively for underwater use. The 120-Watt underwater LED boat light is designed to last 50,000 hours, operates within a wide 9-32V DC range, and uses 36 High-Powered Cree LEDs. Installation hardware is included for surface-mounting on a variety of transom types.

Beam Angle: 180°
Rated 9000 Lumens
Dimmable: No
Wire Gauge: 16
Water Resistance: Waterproof IP68
LED Type: Cree
LED Lifetime: 50000 Hours
Lens: Clear Polycarbonate
Mount Type: Surface

<u>Part Type ID</u>	57170	<u>Est. Labor</u>	1.00
<u>Gross Weight</u>	2.300	<u>Width</u>	5.000
<u>Net Weight</u>	2.300	<u>Height</u>	5.000
<u>DIM Weight</u>	0.899	<u>Depth</u>	5.000

Prop 65 WARNING: This product can expose you to chemicals, which are known to the State of California to cause cancer and birth defects or other reproductive harm. For more information go to www.P65Warnings.ca.gov.