



SKU # MSUWL180RGB

Part #1006976

Description

NEW - HydroBLAST3-POD Underwater 180-Watt LED Lighting System - Marine 316 Stainless Steel - RGB Multi-Color

Categories Marine Sport Lighting

Sub-Categories HydroBLAST Underwater LED

UPC 817999026412 Unit of Measure EA

Related Skus: MSUWBTC12V,MSUWRCC12V

Cross Sell Skus:

Condition Manufacturer EZ Category  
 New Marine Sport Lighting HydroBLAST Marine LED

Harmonization Code Universal Life Expectancy  
 8512.20.2080 YES 50,000 hours

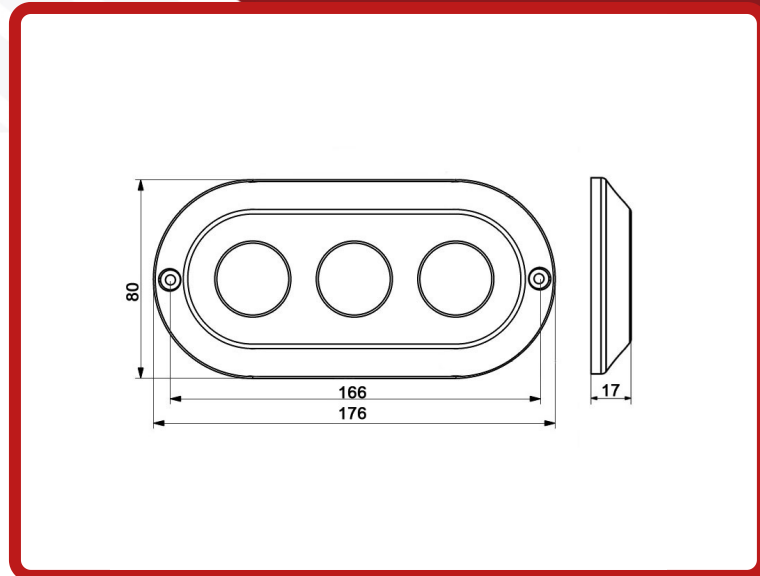
SEMA Product Marine All-Around Light

Reverse Polarity Operating Voltage Current Draw  
 No 9-32VDC 9.4A

Wattage Chip Type IP Rating LUX  
 180-Watts CREE IP68

Kelvin (Color Temperature) Universal or Vehicle Specific  
 RGB Universal

Made In Warranty Lumens Beam Pattern  
 China 1 year 2,197-8,795 Flood



Product Information

Stainless Steel Dual Pod 180W LED Underwater Light (RGB)

Marine Sport Lighting Stainless Steel LED Underwater boat lights function as transom lights and are also great for dock lighting. Use this durable LED boat light to add color to your wake, attract fish, or for nighttime swimming and diving. The LED housing is vibration and shock-resistant and is made from a solid piece of 316 marine-grade stainless steel with a shatterproof polycarbonate lens. These IP68-rated LED lights are completely waterproof, and intended exclusively for underwater use. The 180-Watt underwater LED boat light is designed to last 50,000 hours, operates within a wide 9-32V DC range, and uses High-Powered Cree LEDs. Installation hardware is included for surface-mounting on a variety of transom types.

Requires RGB control panel input, or pairs with our RF (MSUWRCC12V) or Bluetooth APP (MSUWBTC12V) controllers.

Beam Angle: 180°  
 Dimmable: No  
 Wire Gauge: 16  
 Water Resistance: Waterproof IP68

<u>Part Type ID</u>	57170	<u>Est. Labor</u>	1.00
<u>Gross Weight</u>	2.000	<u>Width</u>	9.000
<u>Net Weight</u>	2.000	<u>Height</u>	2.500
<u>DIM Weight</u>	0.890	<u>Depth</u>	5.500

Prop 65 WARNING: This product can expose you to chemicals, which are known to the State of California to cause cancer and birth defects or other reproductive harm. For more information go to [www.P65Warnings.ca.gov](http://www.P65Warnings.ca.gov).